

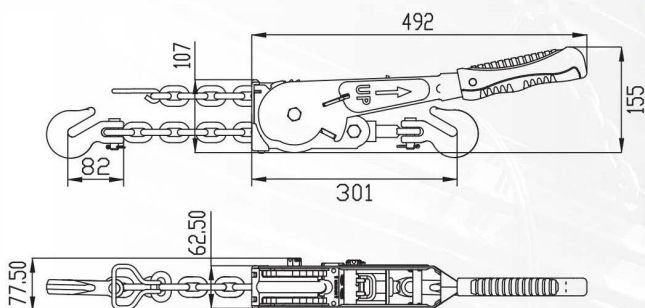


# AUSTLIFT MAXIBINDER **NEW SIZE**

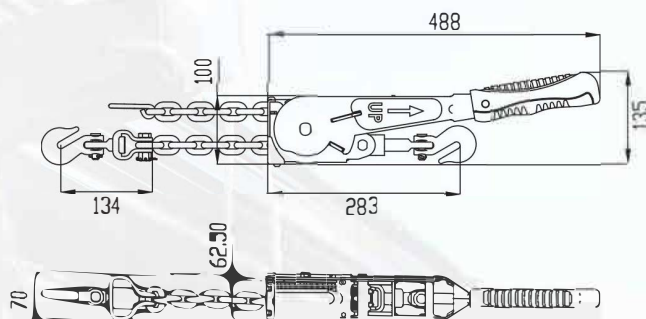
- For 10mm G70 Transport Chain Application
- Lashing Capacity: 6000kg
- Destructive Test: >12000kg
- Conforms to: AS/NZS 4344



## **NEW** Maxibinder 10mm



## Maxibinder 8mm



### 10mm MAXIBINDER SPECIFICATIONS

Product Code:	D202707
Lashing Capacity:	6000kg
Unit Weight:	6.4kg
Tensioning Distance:	305mm
Pretension:	750kg (50kg on Handle)
Destructive test:	12000kg
Chain:	G100 9mm
Grab Hook:	G70 10mm Clevis Type

### 8mm MAXIBINDER SPECIFICATIONS

Product Code:	D202705
Lashing Capacity:	3800kg
Unit Weight:	5.4kg
Tensioning Distance:	305mm
Pretension :	750kg (50kg on Handle)
Destructive test:	7600kg
Chain:	G70 8mm
Grab Hook:	G70 8mm Clevis Type