



**N.B:** Supplied without shackles.

## Features and benefits:

- Compact and light - *perfect for stage riggers dealing with limited space*
- Matt black finish - *disappears into stage rigging for zero audience distraction*
- Unique wired and wireless capability via a simple toggle switch - *one load cell for both show-critical events (wired) and more general weighing/monitoring (wireless)*
- Lighter, more compact cabling - *eliminates overly heavy and chunky cabling and gives stage riggers a more portable solution*
- User configurable overload alarms in both wired and wireless modes - *easy to set on site for simple overload protection*
- Constructed from high strength alloy steel - *for best strength to size ratio*
- Accepts standard shackles

## StageSafe is a 3t capacity load cell designed exclusively for the entertainment industry.

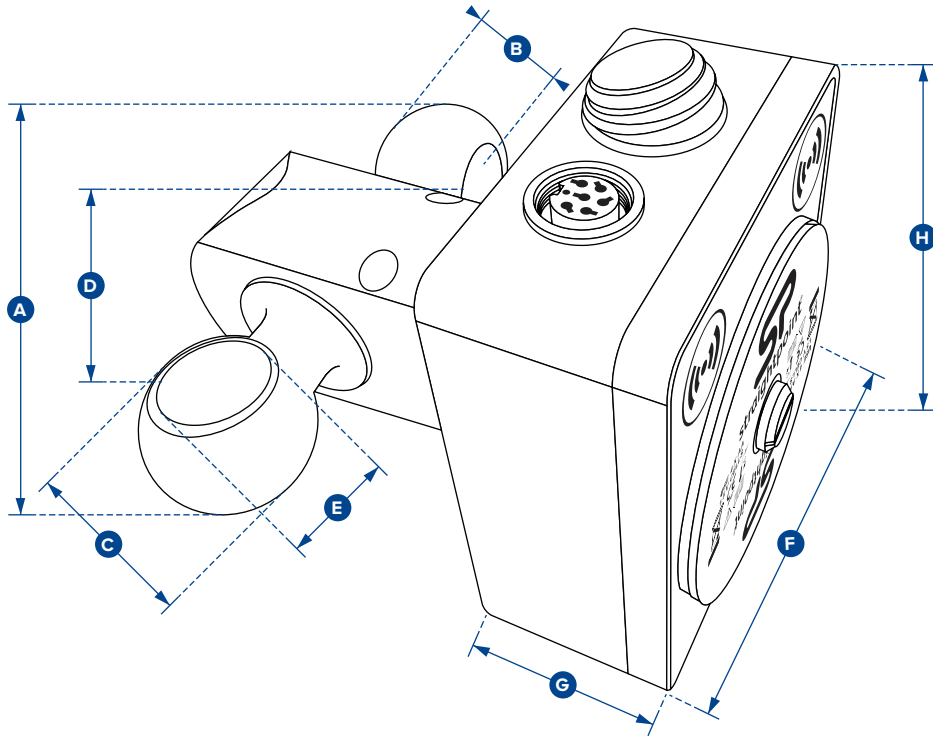
Offering the accuracy of a load cell (0.3% of applied load) while retaining the best headroom possible (129mm/5") its matt black finish blends in perfectly as part of the stage rigging ensuring there are no distractions from the stage.

StageSafe boasts a unique switching feature allowing it to be used as a wireless or wired load cell.

Wireless mode allows simple, cable-free load monitoring and overload protection across the entire rigging setup and up to 100 StageSafe load cells may be monitored and logged real time on a tablet or laptop using our SW-MWLC software.

Wired mode gives the reassurance and dependability of a cabled load cell meaning it is suitable for show-critical events. The data can then be relayed to a single handheld display or to a PLC or external controller via our range of accessories.

StageSafe shares the industry-leading specifications of other Straightpoint wireless products – 1200 hour battery life, 700 metre / 2300ft wireless range and accuracy you can depend on.



Part Number		SSDB3T	
Capacity	3te		
	6600lb		
Operation	Wireless		Wired
Operation Selection	Switch		
Resolution	0.001te		
	2lb		
Weight	1.5kg		
	3.3lb		
Safety Factor	5:1		
Battery Type	Load cell 4 x AA Alkaline		N/A
Battery Life	Load cell 1200hrs continuous		N/A
Operating Temp	-10 to +50°C / 14 to 122°F		
Accuracy	± 0.3% of applied load		
Wireless Frequency	2.4GHz		N/A
Wireless Range	700 metres / 2300ft		N/A
Data Rate	3Hz (up to 200Hz can be ordered for dynamic load monitoring applications)		N/A
Protection	IP65 (IP67 available as option)		NEMA 4X (NEMA 6 available as option)
Dimension A	129		
	5.08"		
Dimension B	25		
	0.98"		
Dimension C	35		
	1.38"		
Dimension D	88		
	3.46"		
Dimension ØE	21		
	0.83"		
Dimension F	102		
	4.02"		
Dimension G	45		
	1.77"		
Dimension H	89		
	3.50"		
Crosby Shackle	G2130-3.25T		